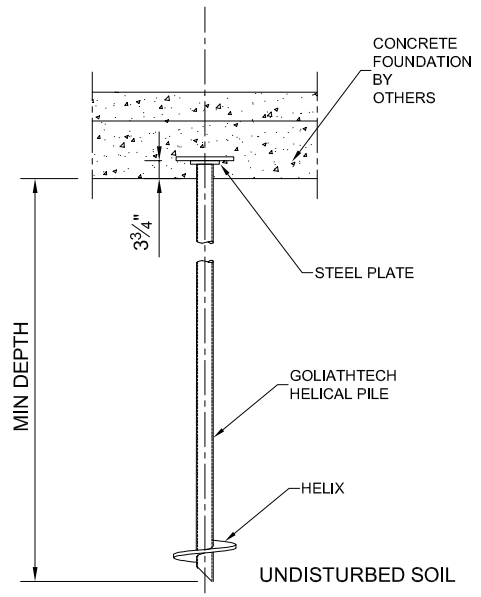



INSIDE GRADE BEAM



REFER TO GENERAL NOTES STD-GN-001

DATE: 2017/01	CONCRETE APPLICATIONS GRADE BEAMS		STD-CO-002
REV.: 00			